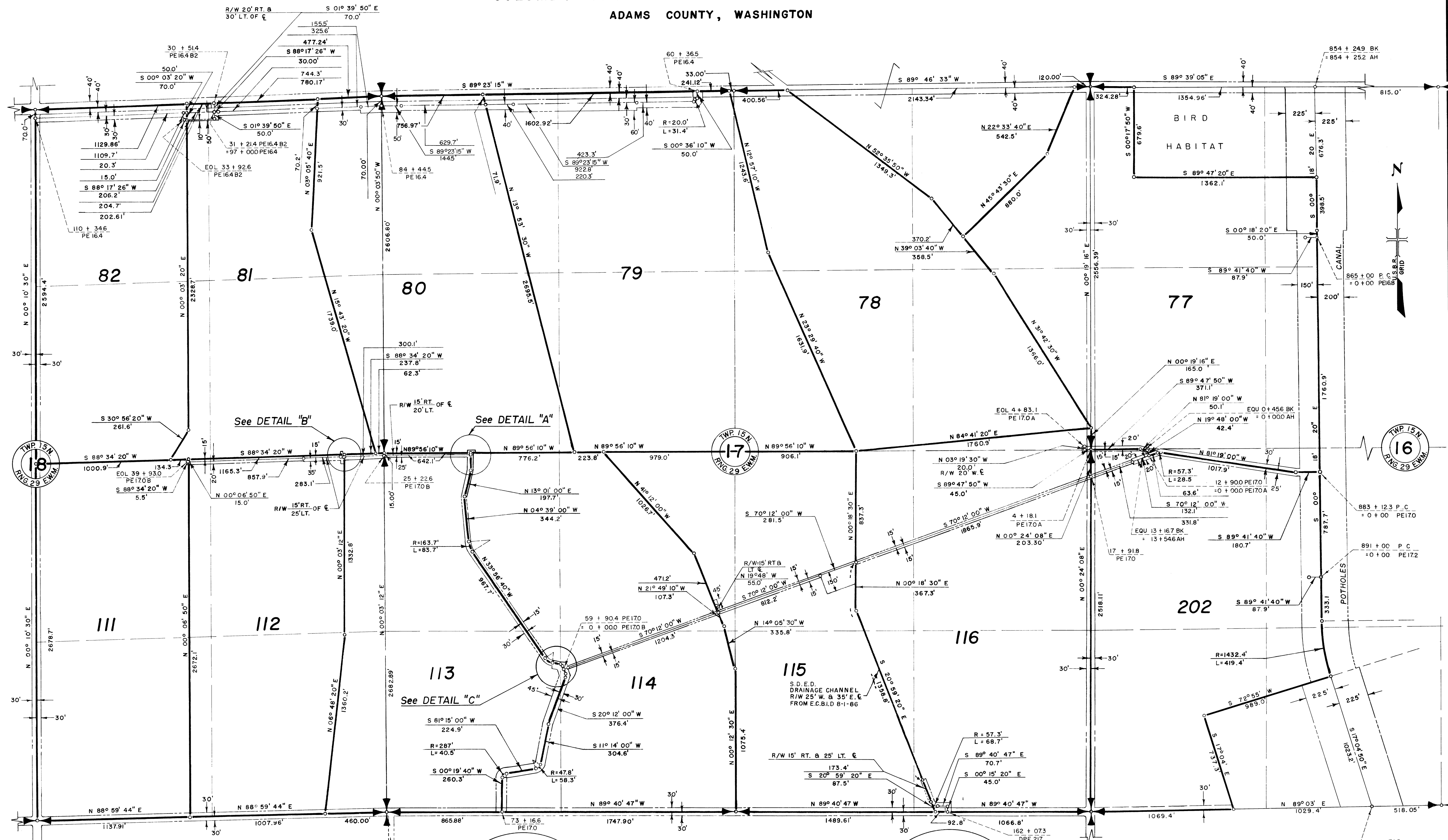


COLUMBIA BASIN PROJECT - IRRIGATION BLOCK 49 ADAMS COUNTY, WASHINGTON

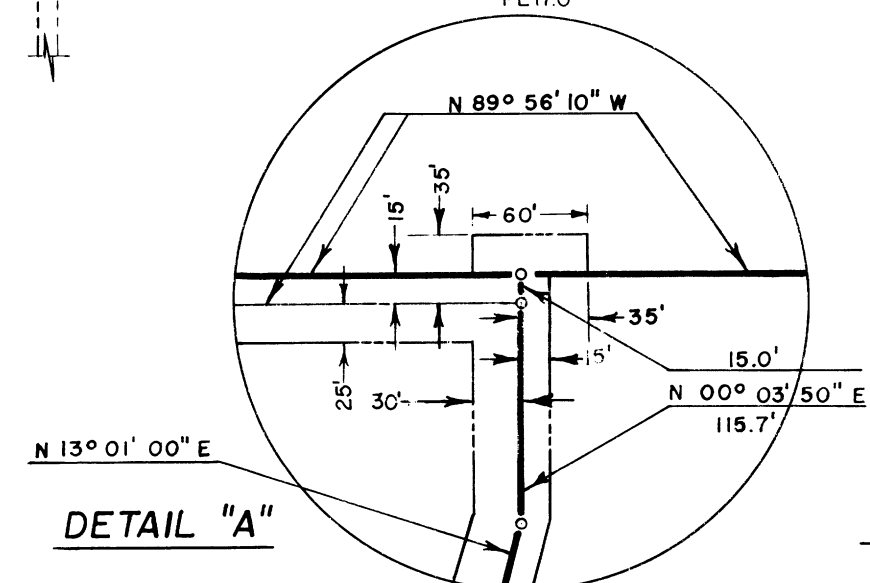


LEGEND

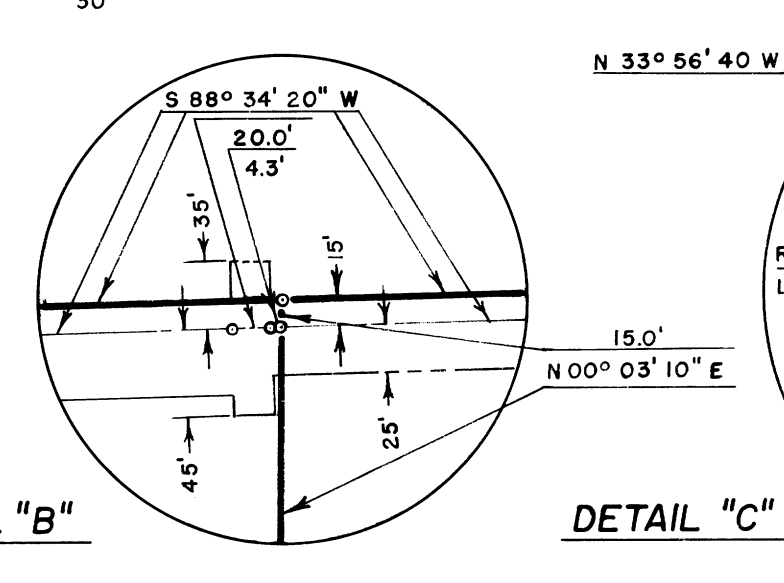
- Boundaries of Units
- Rights of Way for Roads
- Rights of Way for Canals
- Rights of Way for Drains
- Rights of Way for Proposed Roads
- Unit Number

Drawn S.W.
 Checked C.E.D.-CL.R.-R.L.U.
 Surveys certified
J.D. Humes
 Chief, D.B.C. Div.

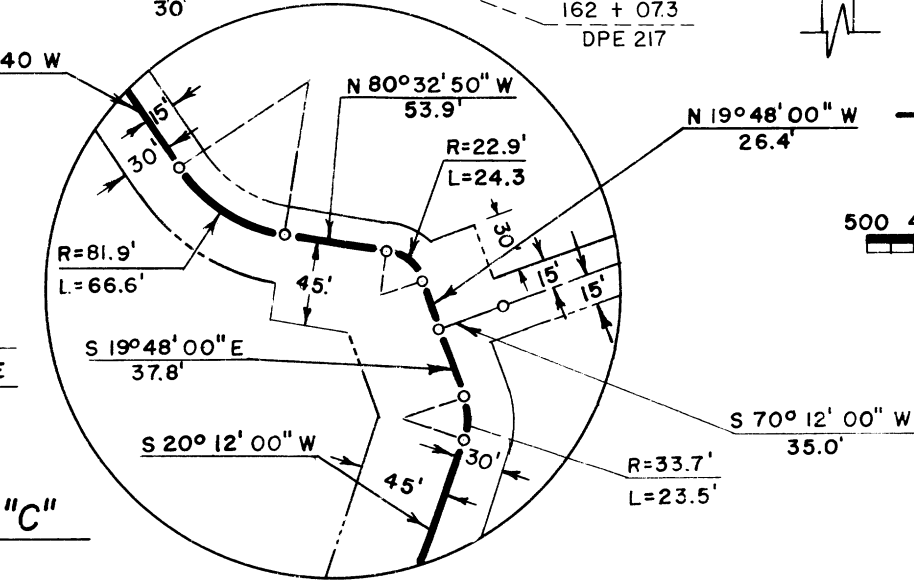
DATE 8-4-54



DETAIL "A"

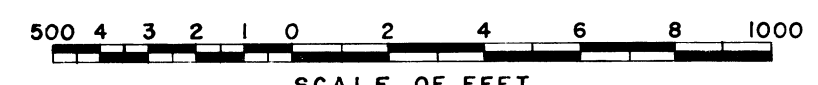


DETAIL "B"



DETAIL "C"

THIS SHEET NOT RECORDED



REV. TO 12-15-86	de
REV. TO 7-31-69	C.M.

I certify that this is Sheet 10 of 13 Supplemental Sheets of the Second Revision of the Final Farm Unit Plat of Irrigation Block 49.
Wm. H. Tuller
 Regional Director (Acting)
 DATE 8-18-54

222-116-26542-19