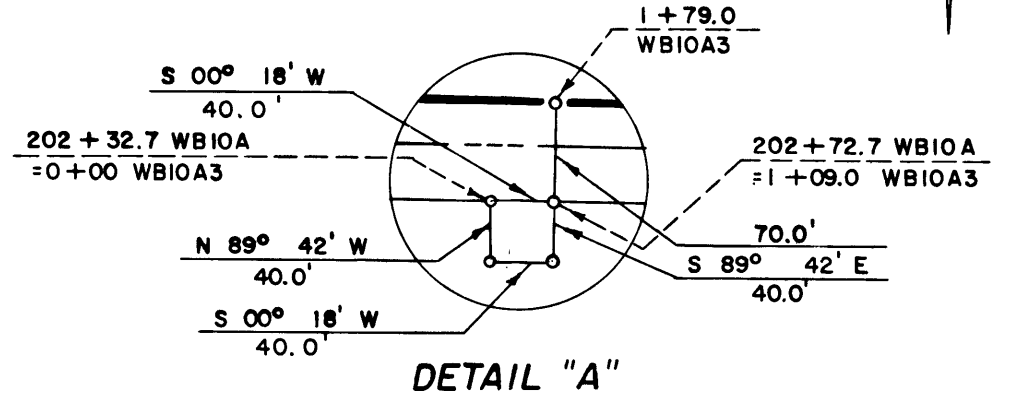


SECTION 31
EQUATION
N 0° 21' E
N 0° 18' E

Drawn O.K.O. W.G.L.
Checked R.E.H.
Surveys Certified
A.J. Davidson
Chief, Engr. Div.
DATE 7-20-61

- LEGEND**
- Boundary of Units
 - Rights of Way for Roads
 - Rights of Way for Canals
 - Rights of Way for Drains
 - Former Boundary of Units

17 Unit Number



THIS SHEET NOT RECORDED

- 1 BURIED PIPE DRAIN
R/W 45' W. & 55' E.
- 2 BURIED PIPE DRAIN
R/W 45' N. & 55' S.
- 3 BURIED PIPE DRAIN
R/W 55' N. & 45' S.
- 4 BURIED PIPE DRAIN
R/W 55' W. & 45' E.
- 5 BURIED PIPE DRAIN
R/W 45' E. & LAT. W.
- 6 BURIED PIPE DRAIN
R/W 70' N. & 55' S. STA. 20+86.7 TO 25+01.1
R/W 45' N. & 55' S. STA. 25+01.1 TO 39+08.4
R/W 45' W. & 55' E. STA. 39+08.4 TO 50+10.3
- 7 BURIED PIPE DRAIN
R/W 55' S. & LAT. N.
- 8 BURIED PIPE DRAIN
R/W 75' S. & 75' N.
- 9 BURIED PIPE DRAIN
R/W 75' E. & TO LAT. W.
- 10 BURIED PIPE DRAIN
R/W 45' N. & TO LAT. S.
- 11 BURIED PIPE DRAIN
R/W 60' W. & 70' E.

REV. TO 12-15-86	<i>de</i>
REV. TO 12-31-84	<i>de</i>
REV. TO 4-16-75	<i>de</i>
REV. TO 12-28-73	<i>de</i>
REV. TO 7-31-70	<i>C.M.</i>
REV. TO 9-1-64	<i>B.B.</i>
REV. TO 10-1-63	<i>A.P.</i>

I certify that this is Sheet
2 of 3 Supplemental Sheets
of the First Revision of
the Final Farm Unit Plat of
Irrigation Block 201.
H.T. Nelson
Regional Director
DATE 8-1-61