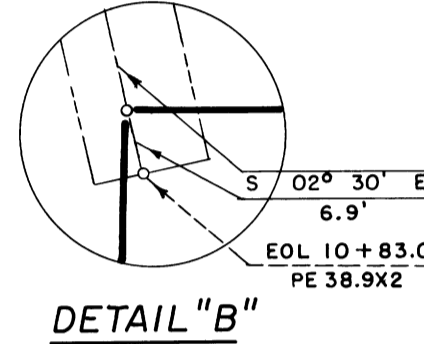
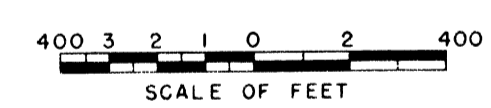


DETAIL "A"



DETAIL "B"



Drawn J.W.S.
 Checked J.L.R. M.W.C. J.E.G.
 Surveys certified
A.J. Davidson
 Chief, Engr. Div.
 DATE 6-22-62

THIS SHEET NOT RECORDED

- LEGEND**
- ==== Right of Way for Road
 - ==== Right of Way for Proposed Road
 - Boundary of Unit
 - ==== Right of Way for Canal
 - ==== Right of Way for Drain
 - - - - Former Unit Boundary

REV. TO 12-31-65 R.L.M.

I certify that this is Sheet
 9 of 10 Supplemental Sheets
 of the Seventh Revision of the
 Final Farm Unit Plat of
 Irrigation Block 13.
M.B. Austin
 Regional Director (ACT)
 DATE 7-6-62

16-30
 28

16-31

32

30

101 Unit Number

222-116-32549-29