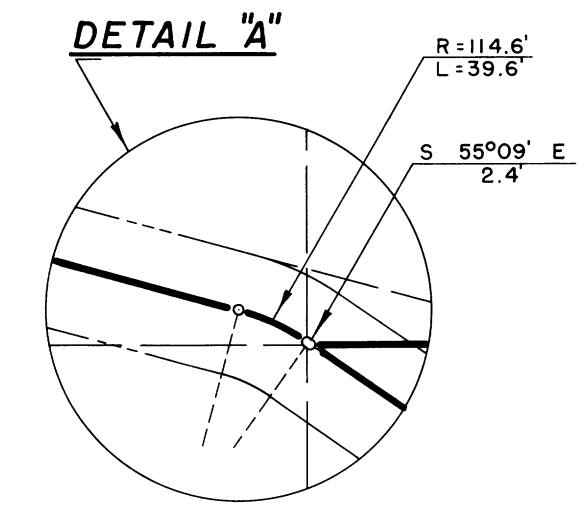


Drawn H.M.R.  
 Checked J.L.R. C.W.M. J.E.G.  
 Surveys certified  
J.D. Humes  
 Chief, Eng. Div.  
 of D.C. Div.  
 DATE 6-17-59

THIS SHEET NOT RECORDED

**LEGEND**  
 --- Right of Way for Road  
 --- Right of Way for Proposed Road  
 --- Boundary of Unit  
 --- Right of Way for Canal  
 --- Right of Way for Drain



REV. TO 9-1-64 B.I.M.  
 I certify that this is Sheet  
 2 of 5 Supplemental Sheets  
 of the Fifth Revision of the  
 Final Farm Unit Plat of  
 Irrigation Block 13.  
G.G. Stamm  
 Regional Director (Act.)  
 DATE 7-14-59

41 Unit Number

222-116-31297-22