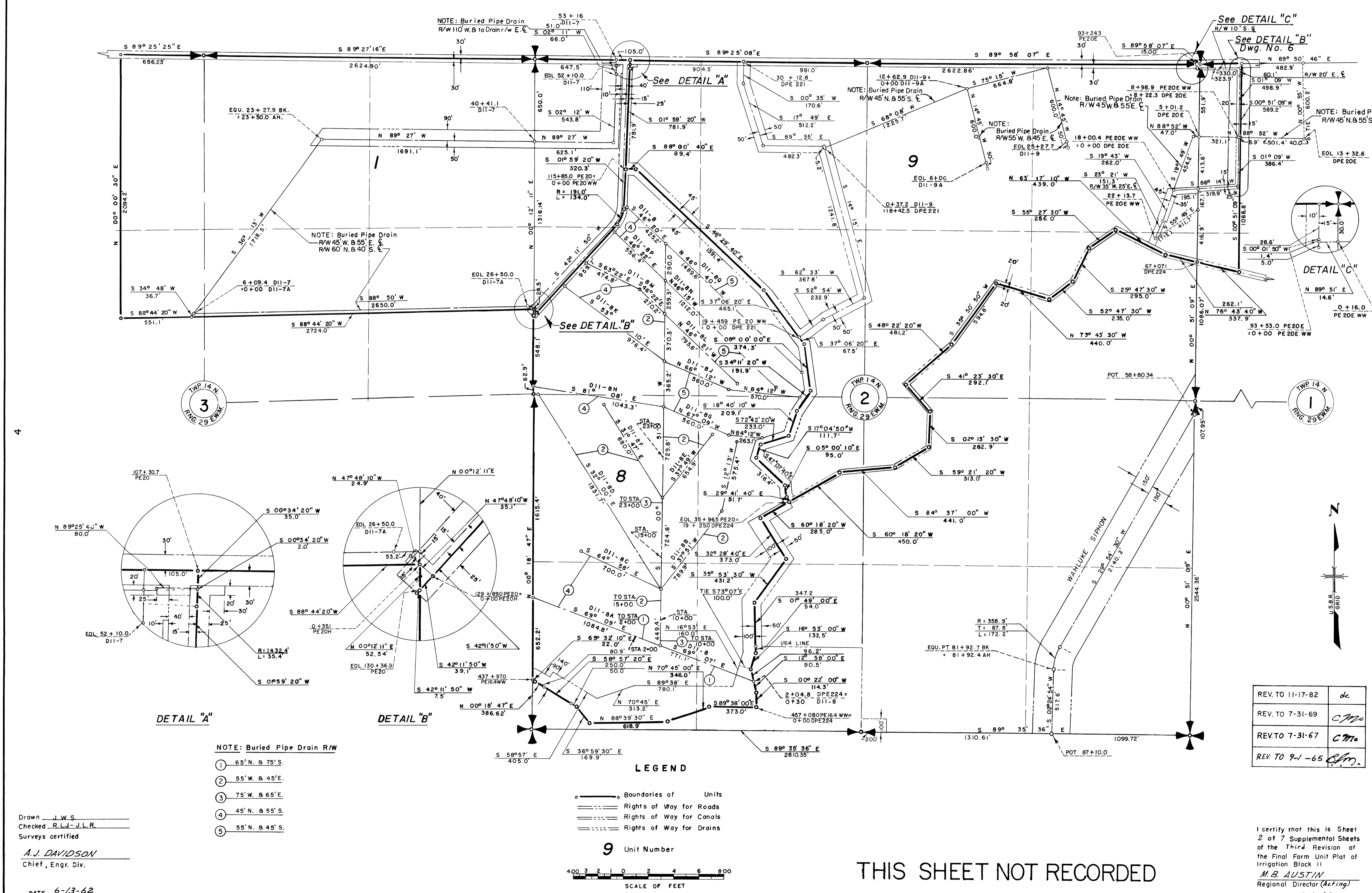
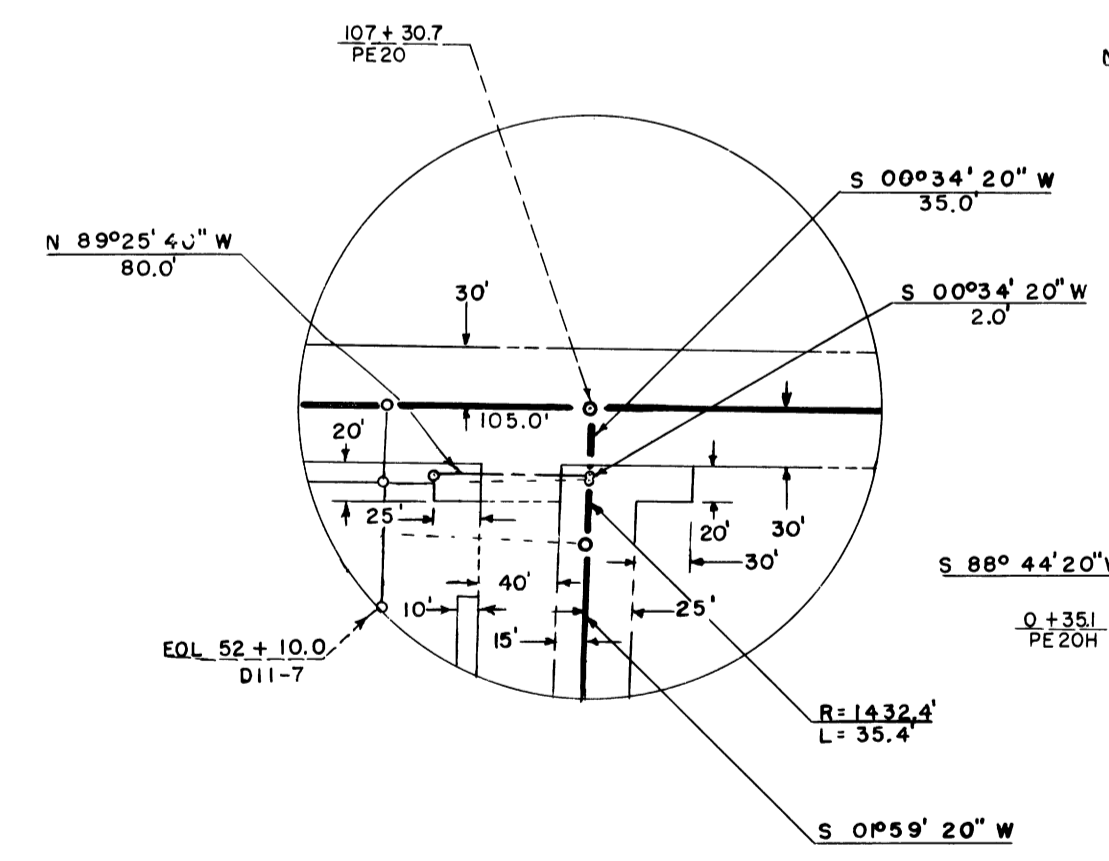


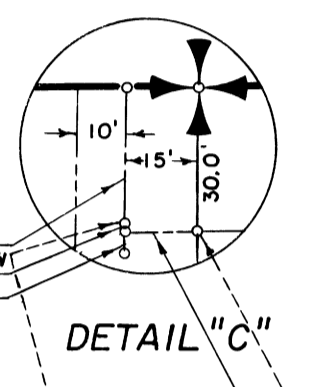
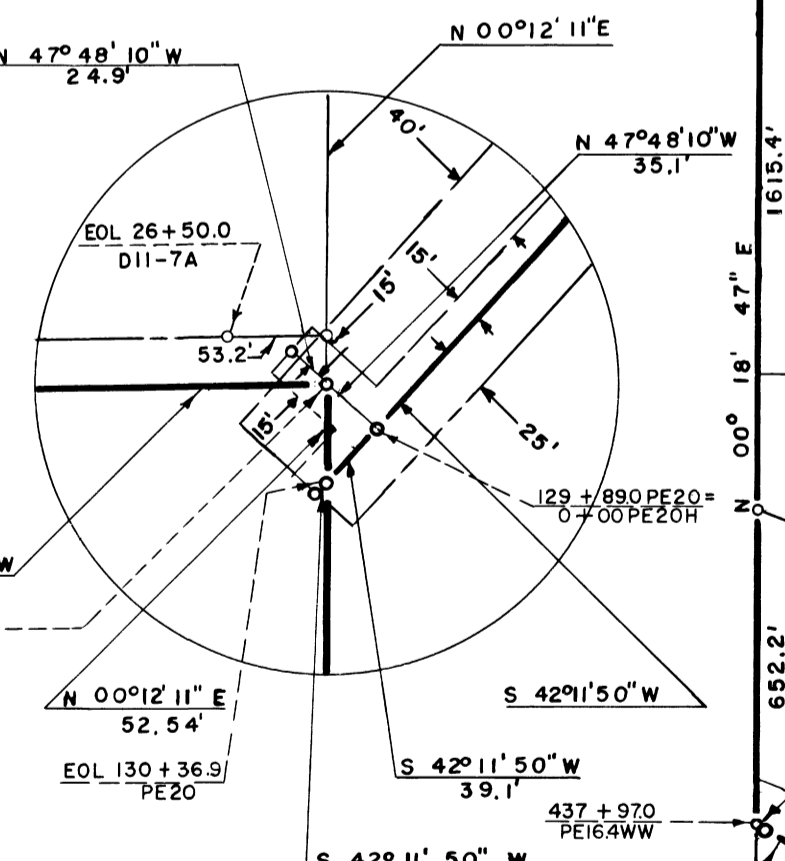
COLUMBIA BASIN PROJECT - IRRIGATION BLOCK 11 FRANKLIN COUNTY, WASHINGTON



DETAIL "A"



DETAIL "B"



- NOTE: Buried Pipe Drain R/W
- ① 65' N. & 75' S.
 - ② 55' W. & 45' E.
 - ③ 75' W. & 65' E.
 - ④ 45' N. & 55' S.
 - ⑤ 55' N. & 45' S.

- LEGEND
- Unit Number
 - Rights of Way for Roads
 - Rights of Way for Canals
 - Rights of Way for Drains

Drawn J.W.S.
 Checked R.L.L.-J.L.R.
 Surveys certified
A.J. DAVIDSON
 Chief, Engr. Div.
 DATE 6-13-62

REV. TO 11-17-82	dc
REV. TO 7-31-69	C.M.
REV. TO 7-31-67	C.M.
REV. TO 9-1-65	C.M.

I certify that this is Sheet 2 of 7 Supplemental Sheets of the Third Revision of the Final Farm Unit Plat of Irrigation Block 11
M.B. AUSTIN
 Regional Director (Acting)
 DATE 7-6-62

THIS SHEET NOT RECORDED