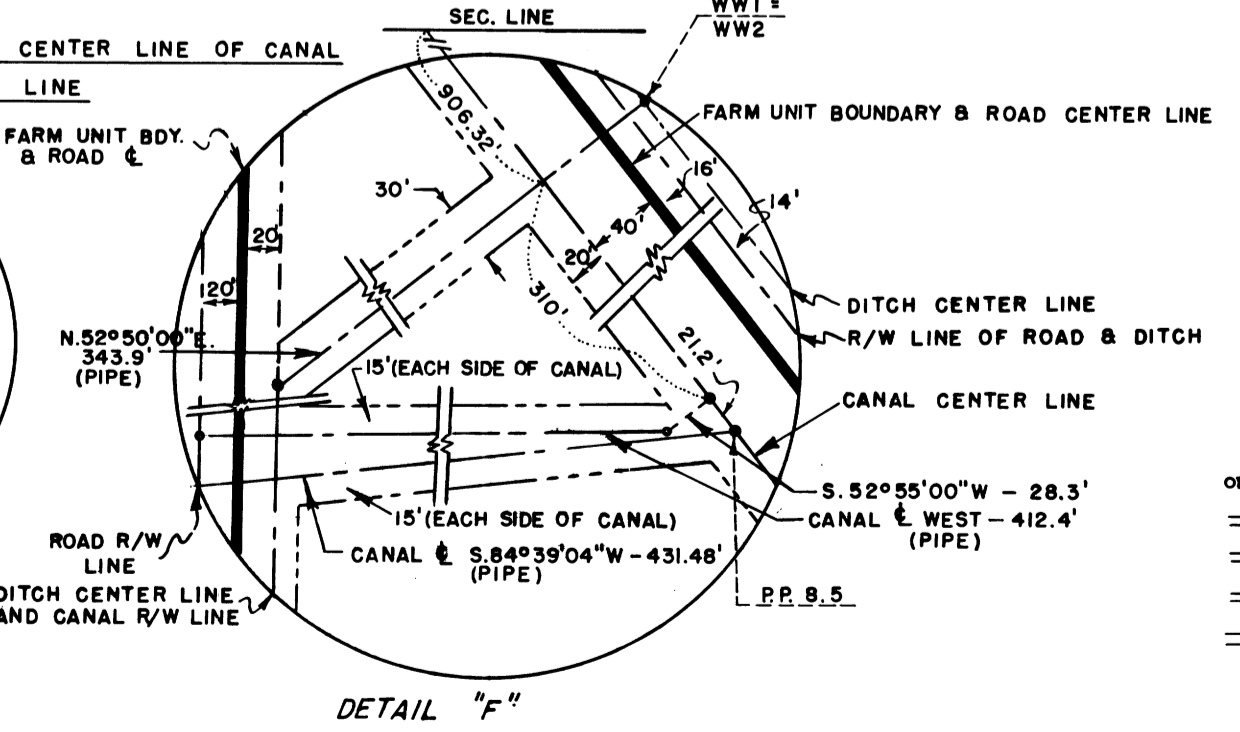
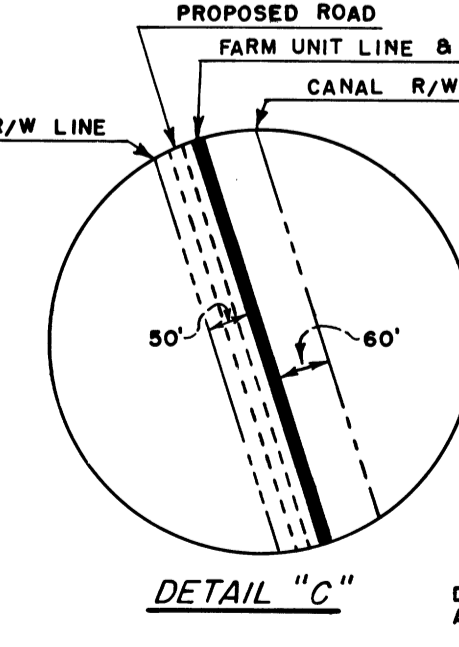
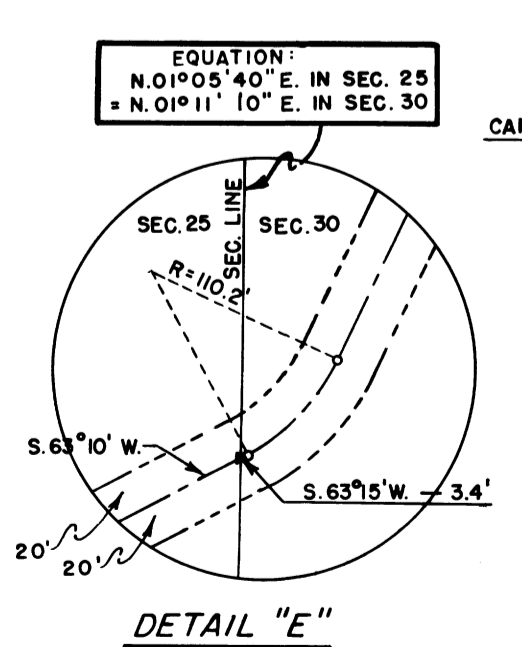
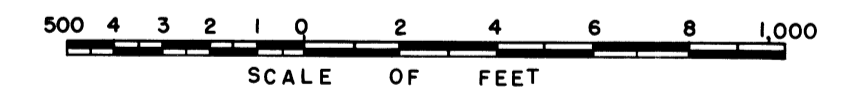


THIS SHEET NOT RECORDED

Drawn RSQ  
 Checked GFB  
 Surveys certified  
J.D. Humes  
 Chief, Eng. Div.  
 of P&C  
 DATE 6-13-55



- LEGEND
- Boundaries of Units
  - Rights of Way for Canals
  - Rights of Way for Roads
  - Rights of Way for Proposed Roads
  - Rights of Way for Drains



I certify that this is sheet  
 3 of 7 Supplemental sheets  
 of the third Revision of the  
 Farm Unit Plat of Irrigation  
 Block 1.

Wm. H. Tuller  
 Regional Director (Acting)

DATE 8-5-55

REV. TO 6-26-79 dc