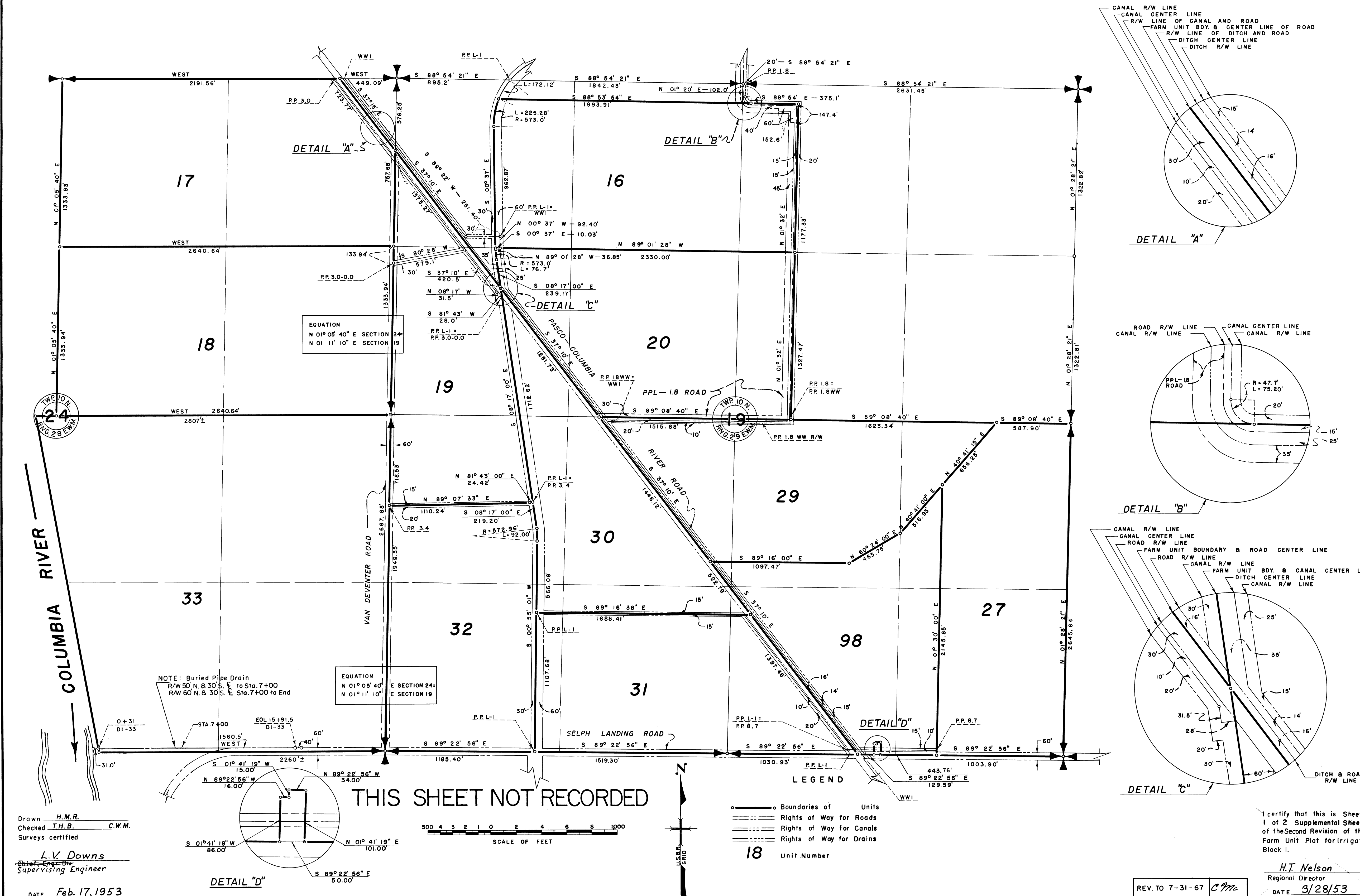


COLUMBIA BASIN PROJECT - IRRIGATION BLOCK I

FRANKLIN COUNTY, WASHINGTON

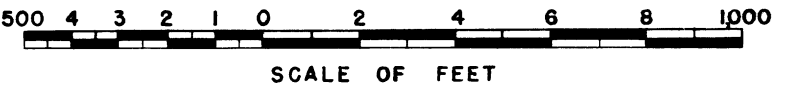


EQUATION
 N 01° 05' 40" E SECTION 24
 N 01° 11' 10" E SECTION 19

EQUATION
 N 01° 05' 40" E SECTION 24
 N 01° 11' 10" E SECTION 19

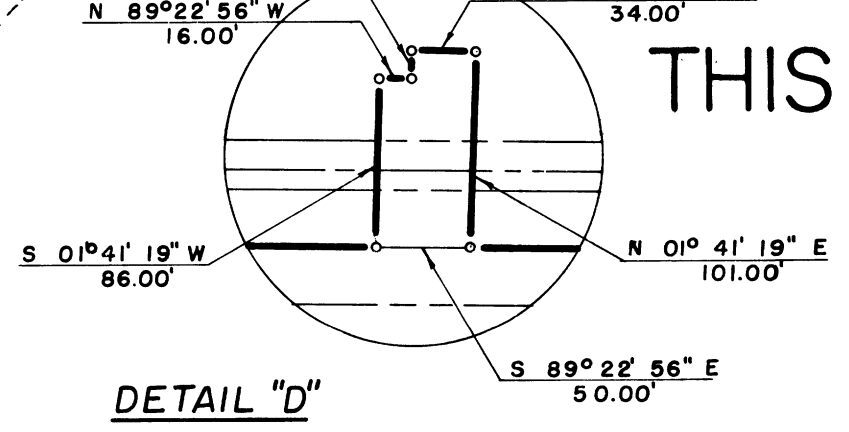
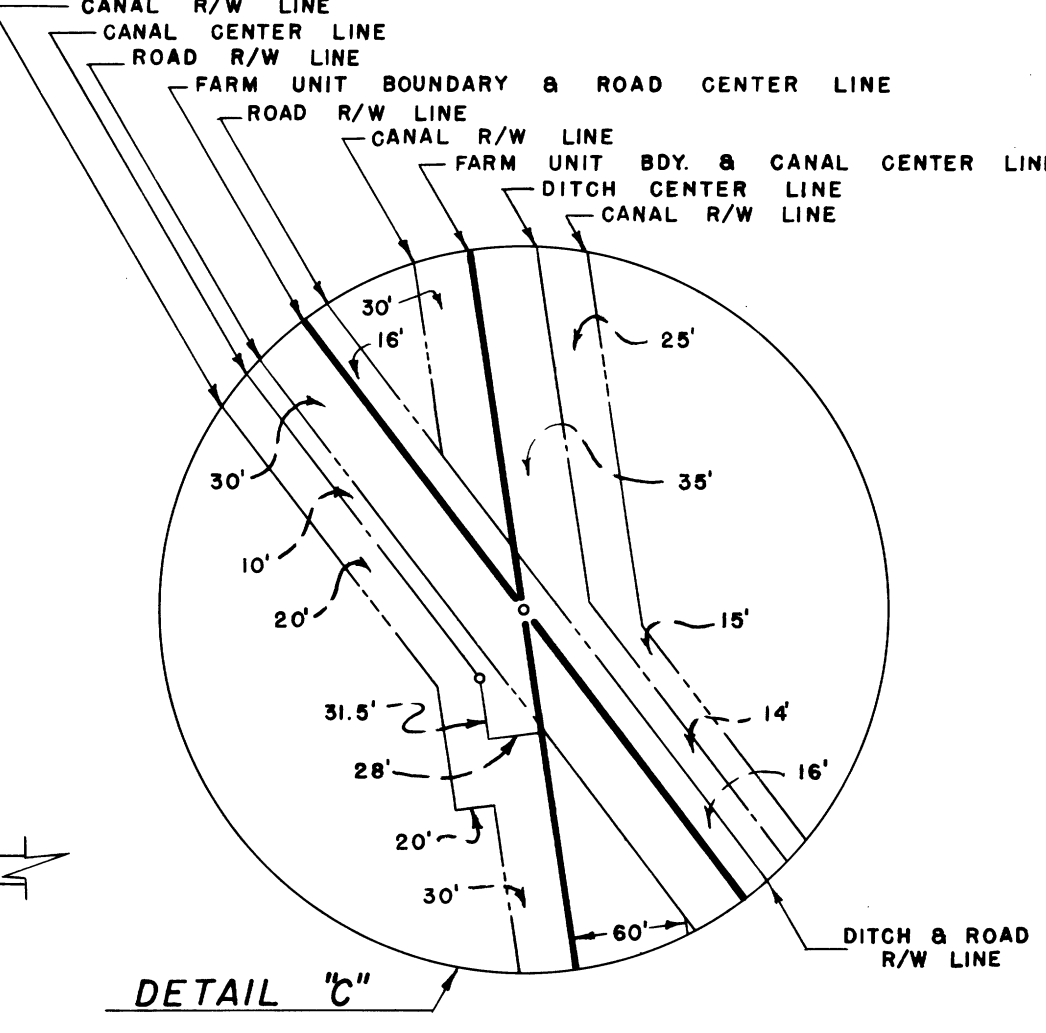
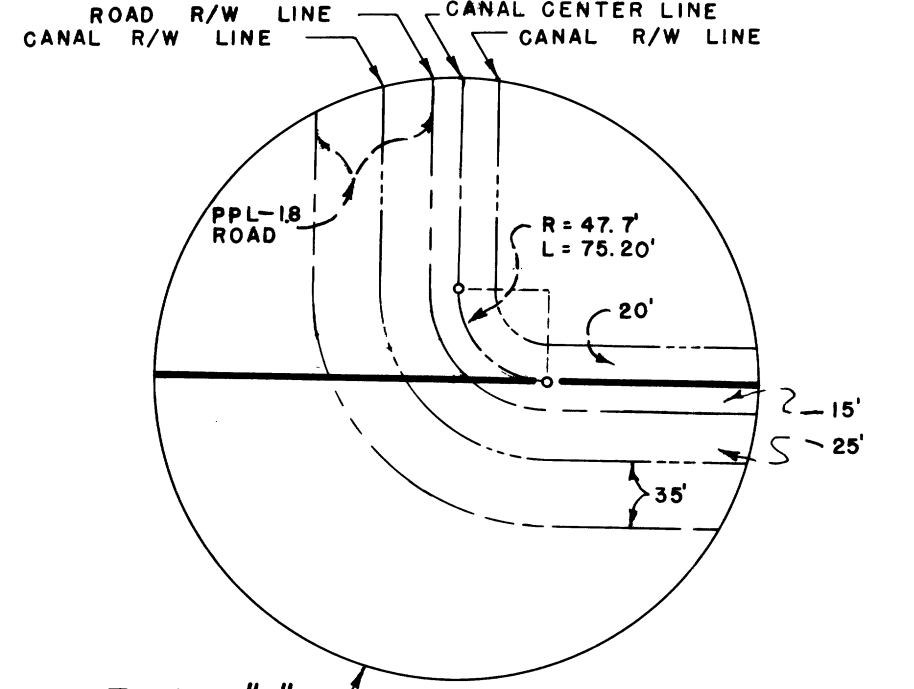
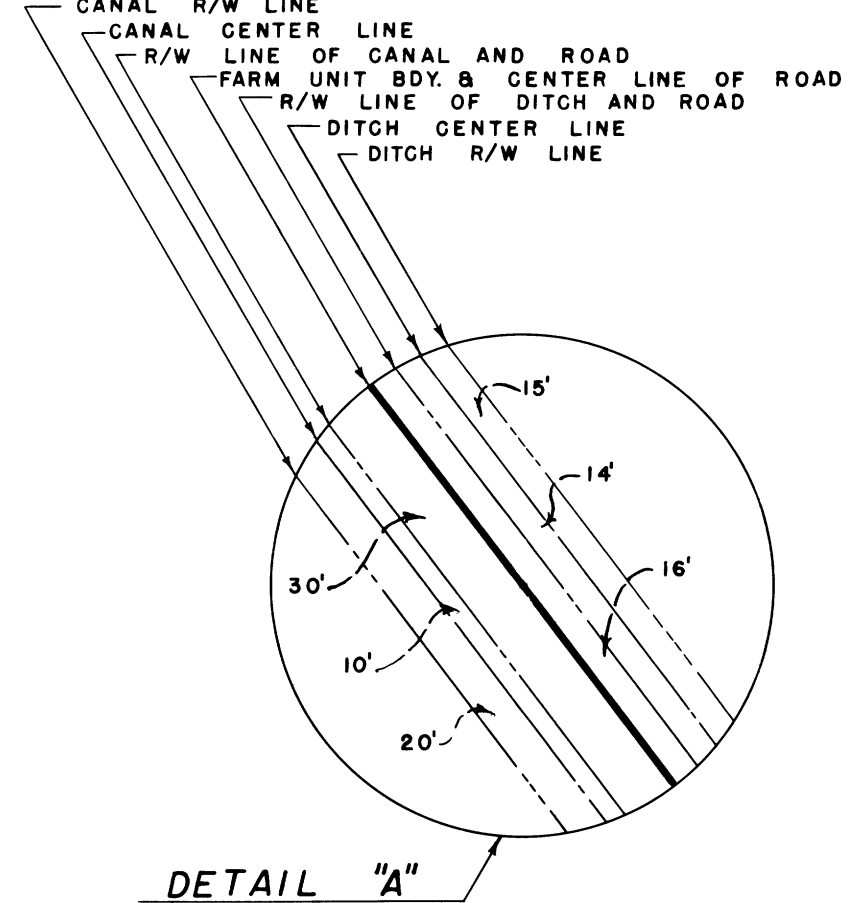
NOTE: Buried Pipe Drain
 R/W 50 N. 8 30 S. E. to Sta. 7+00
 R/W 60 N. 8 30 S. E. to Sta. 7+00 to End

THIS SHEET NOT RECORDED



- LEGEND
- Boundaries of Units
 - Rights of Way for Roads
 - Rights of Way for Canals
 - Rights of Way for Drains

18 Unit Number



Drawn H.M.R.
 Checked T.H.B. C.W.M.
 Surveys certified

L.V. Downs
 Chief Engineer
 Supervising Engineer

DATE Feb. 17, 1953

I certify that this is Sheet
 1 of 2 Supplemental Sheets
 of the Second Revision of the
 Farm Unit Plat for Irrigation
 Block I.

H.T. Nelson
 Regional Director

DATE 3/28/53

REV. TO 7-31-67 C.M.