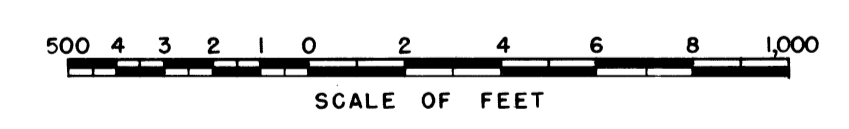
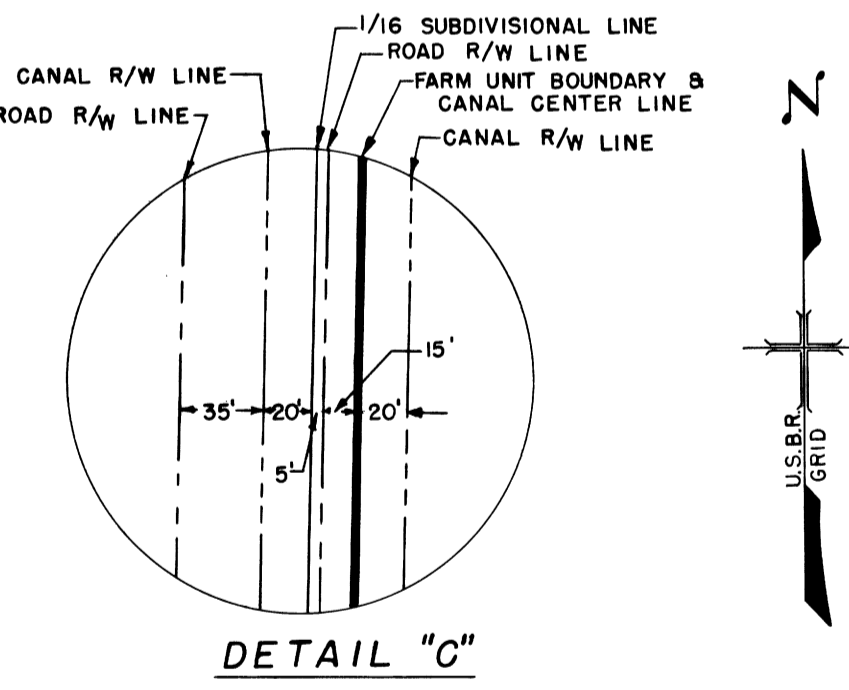
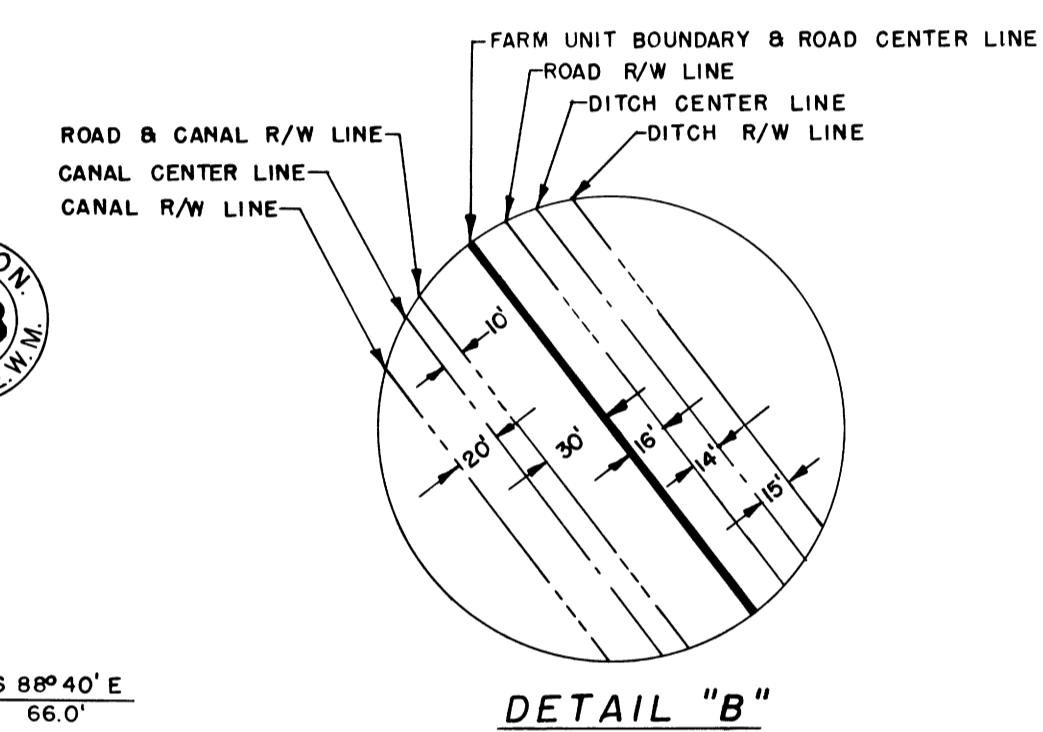
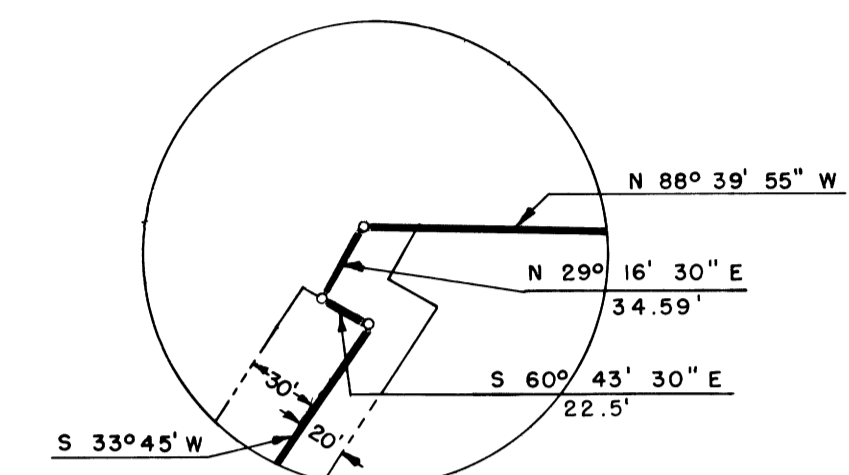
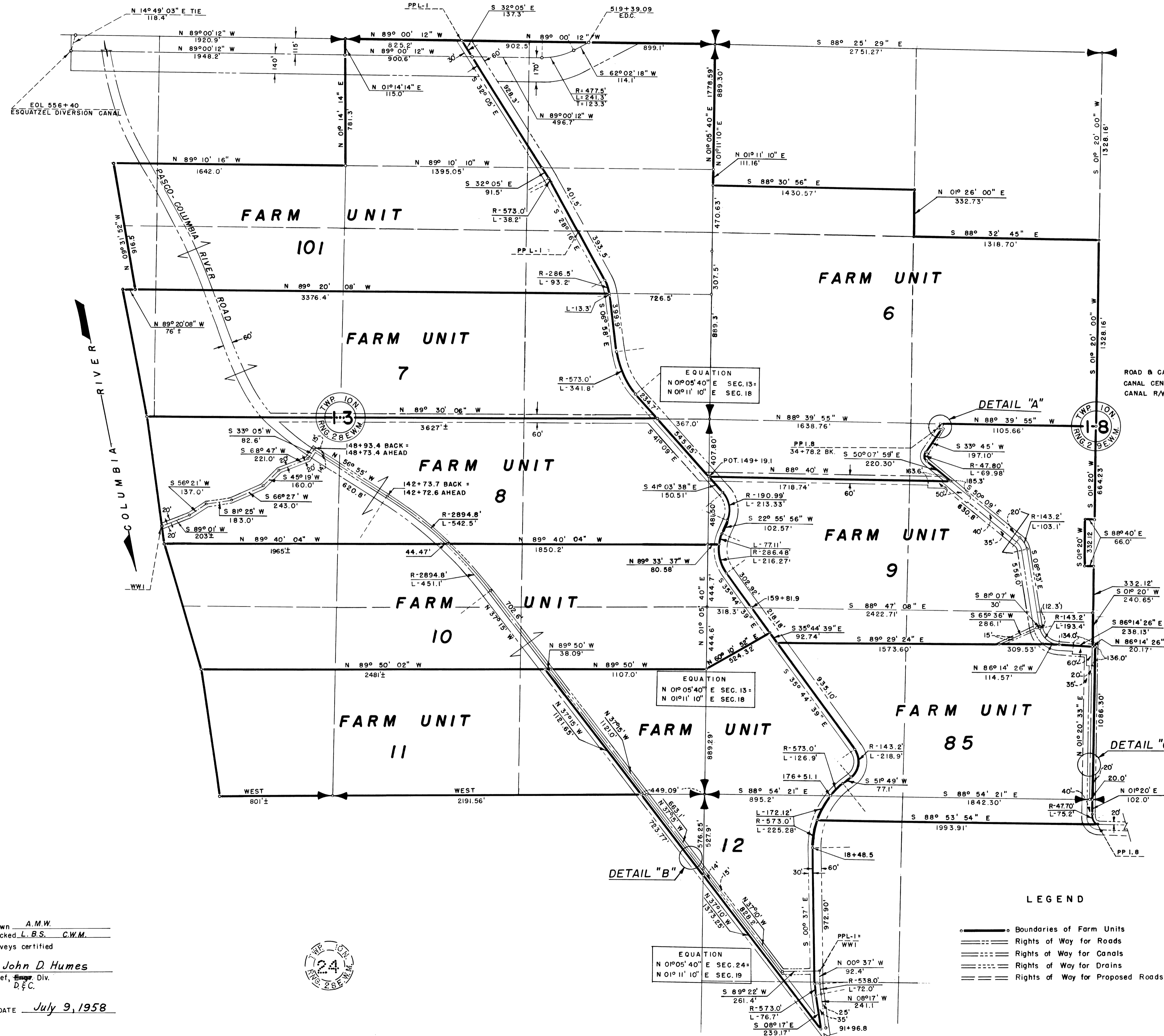


# COLUMBIA BASIN PROJECT - IRRIGATION BLOCK I

## FRANKLIN COUNTY, WASHINGTON



- LEGEND**
- Boundaries of Farm Units
  - ==== Rights of Way for Roads
  - ==== Rights of Way for Canals
  - ==== Rights of Way for Drains
  - ==== Rights of Way for Proposed Roads

Drawn A.M.W.  
 Checked L.B.S. C.W.M.  
 Surveys certified

John D. Humes  
 Chief, Eng. Div.  
 D.F.C.

DATE July 9, 1958



I certify that this is Sheet  
**2** of **5** Supplemental Sheets  
 of the Fourth Revision of the  
 Farm Unit Plat for Irrigation  
 Block I.  
Wm. H. Tuller  
 Regional Director (Acting)  
 DATE July 25, 1958

REV. TO 12-20-83 da

222-116-30723-5

16-82

7