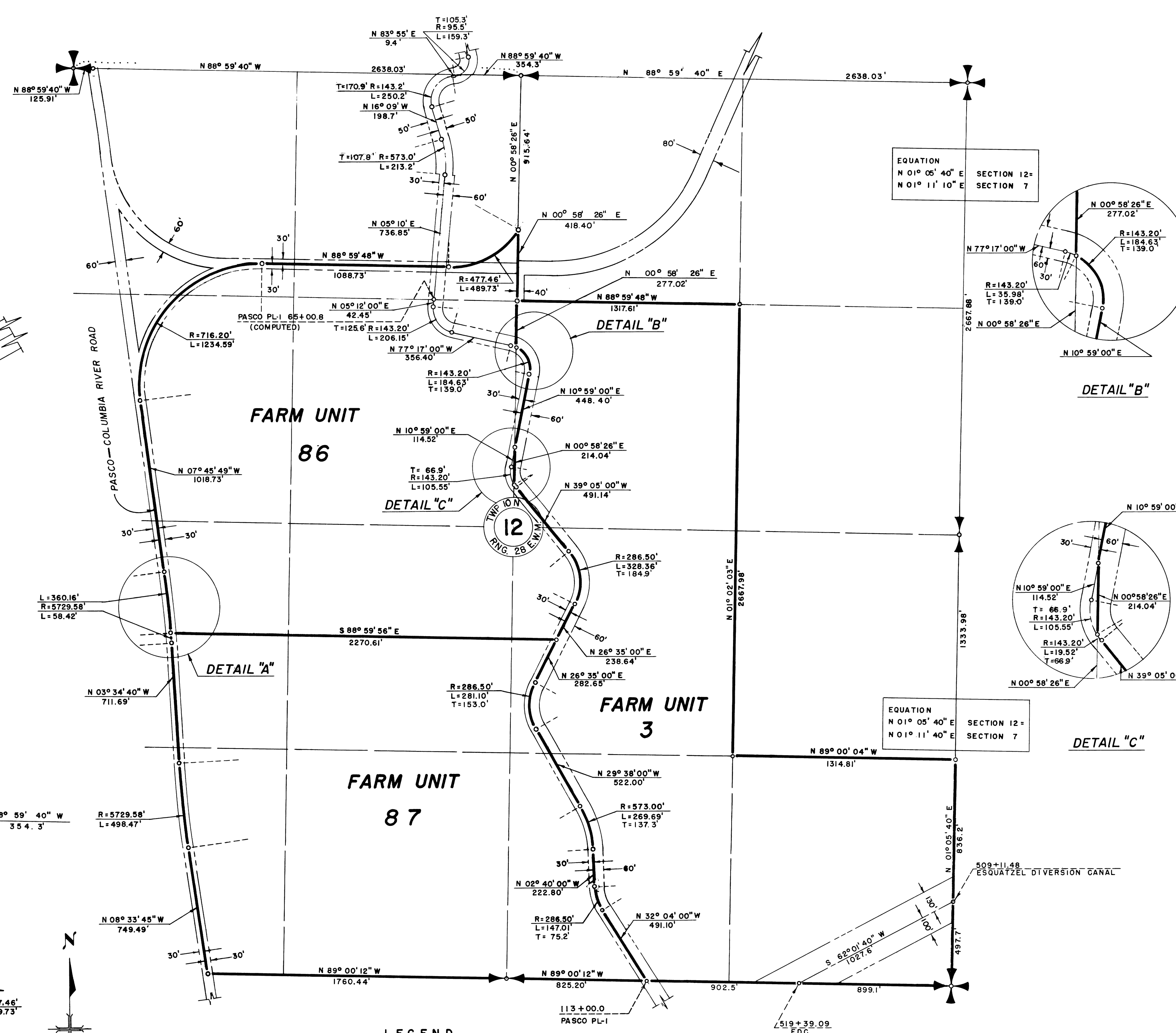
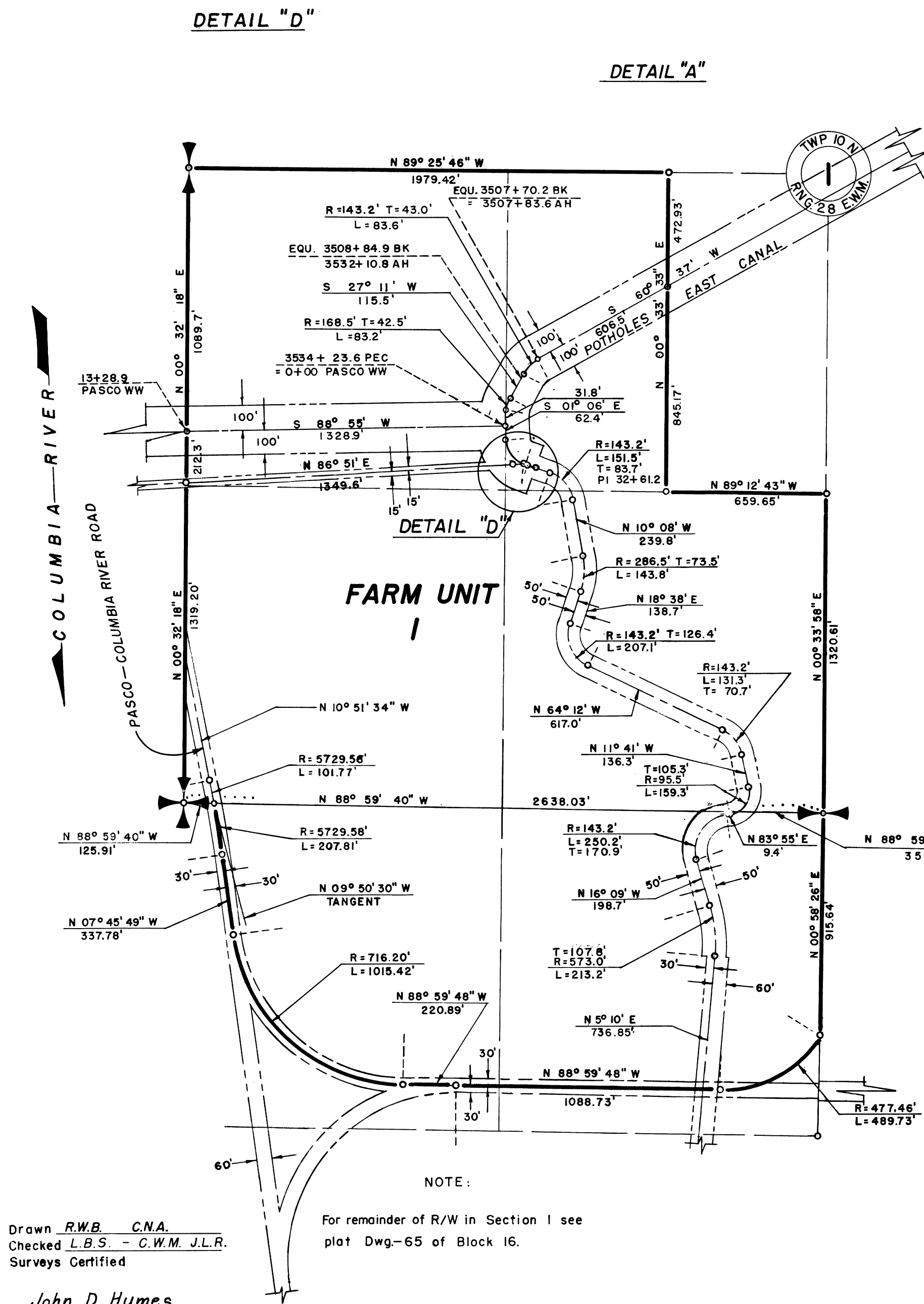
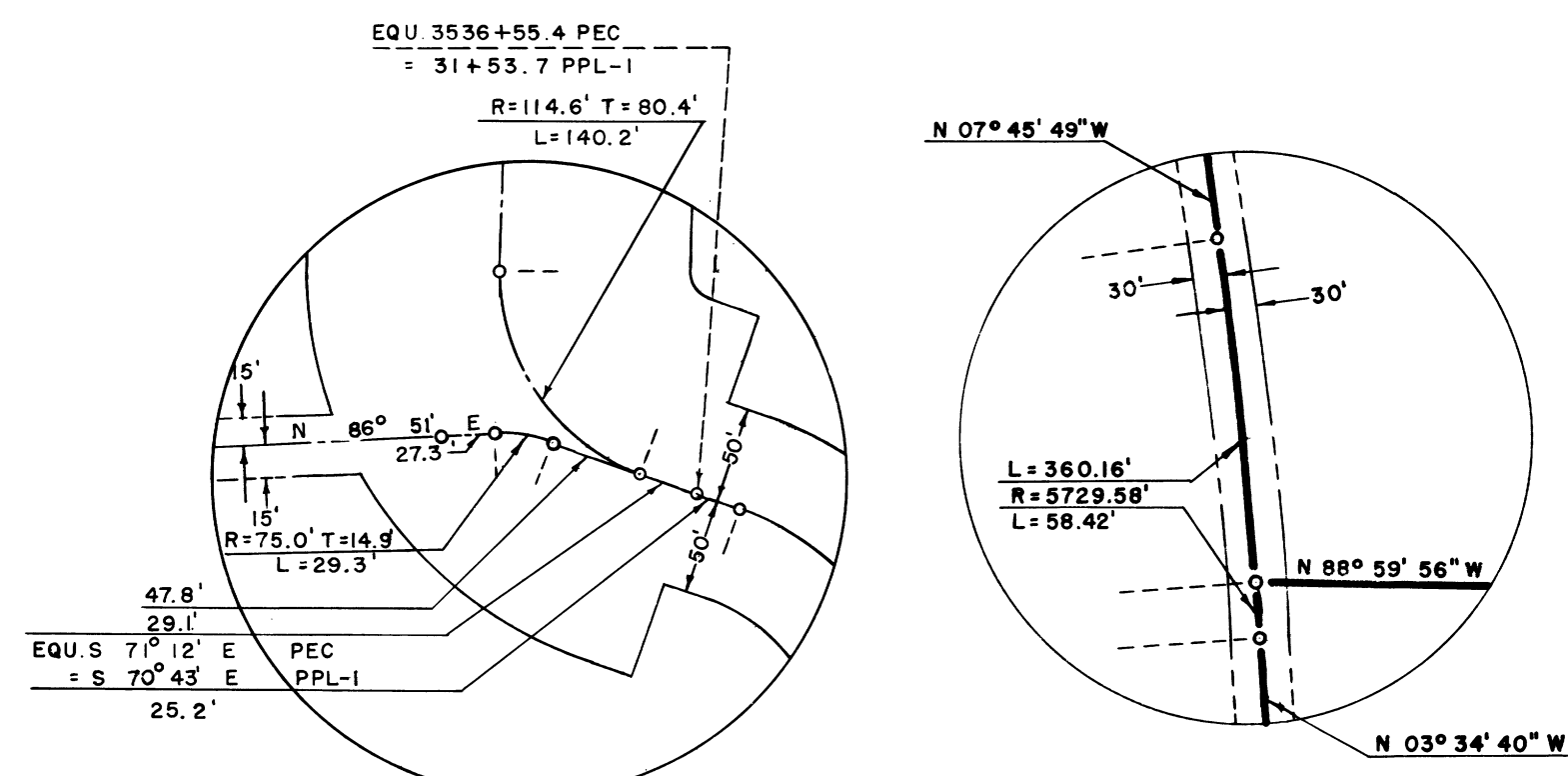


**COLUMBIA BASIN PROJECT - IRRIGATION BLOCK I**  
FRANKLIN COUNTY, WASHINGTON

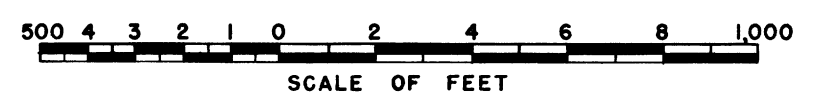


Drawn RWB CNA  
 Checked L.B.S. - C.W.M. J.L.R.  
 Surveys Certified

John D. Humes  
 Chief, of D.F.C. Div.

DATE July 9, 1958

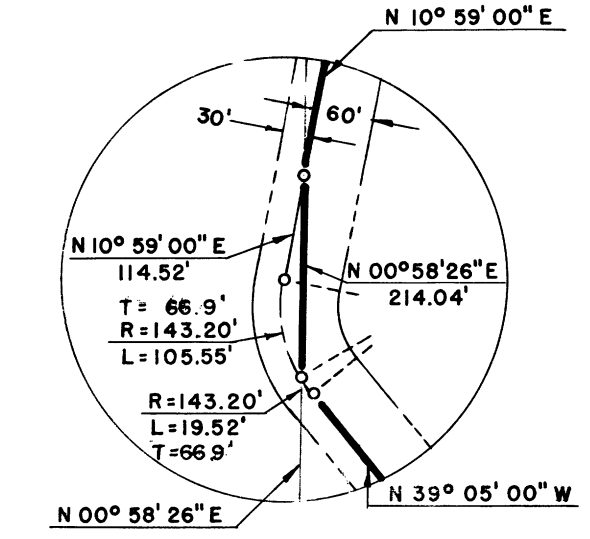
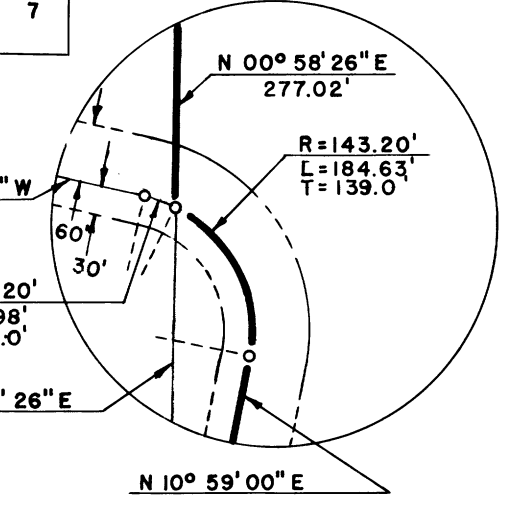
NOTE:  
 For remainder of R/W in Section 1 see  
 plot Dwg.-65 of Block 16.



- LEGEND**
- — ○ Boundaries of Farm Units
  - — — Rights of Way for Roads
  - — — Rights of Way for Canals
  - — — Rights of Way for Proposed Roads
  - — — Rights of Way for Drains

EQUATION  
 N 01° 05' 40" E SECTION 12 =  
 N 01° 11' 10" E SECTION 7

EQUATION  
 N 01° 05' 40" E SECTION 12 =  
 N 01° 11' 40" E SECTION 7



I certify that this is Sheet  
 1 of 5 Supplemental Sheets  
 of the Fourth Revision of the  
 Farm Unit Plat for Irrigation  
 Block I.  
Wm. H. Tuller  
 Regional Director (Acting)

DATE July 25, 1958